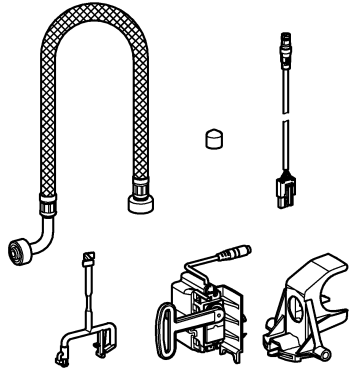
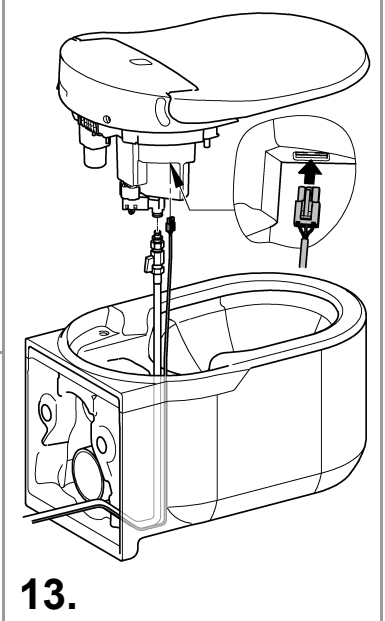
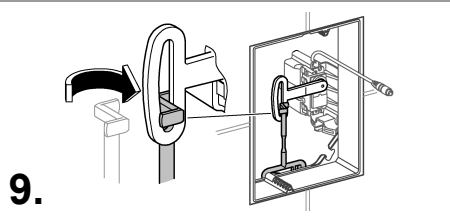
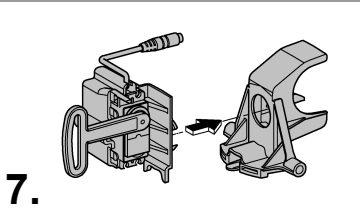
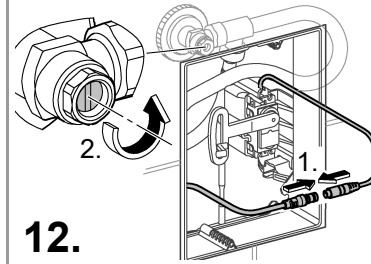
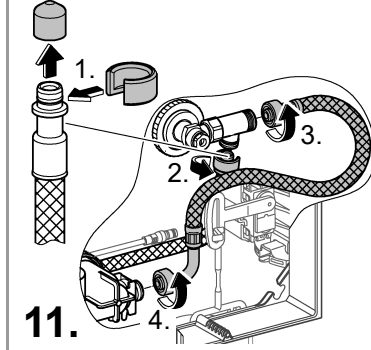
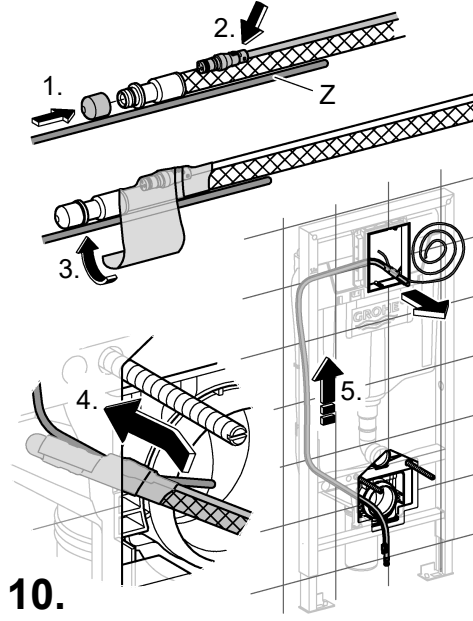
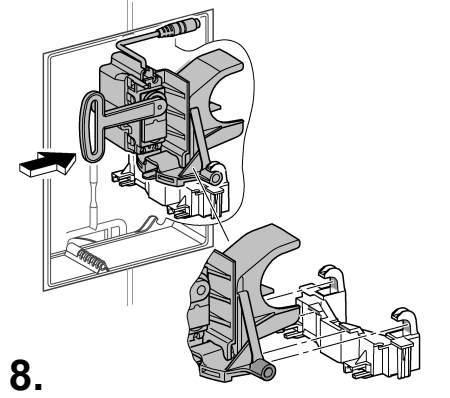
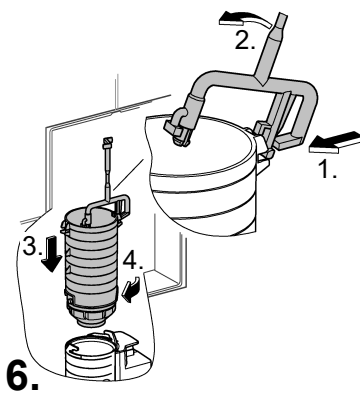
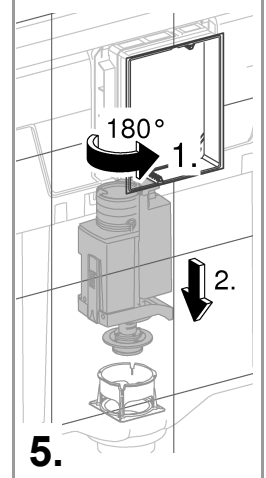
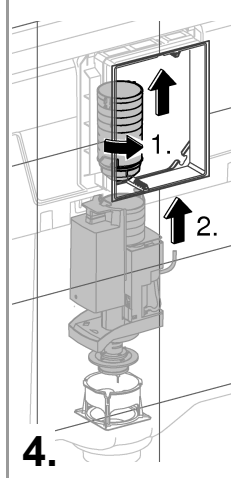
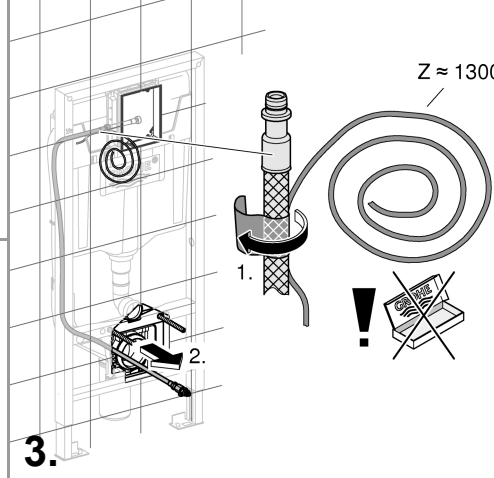
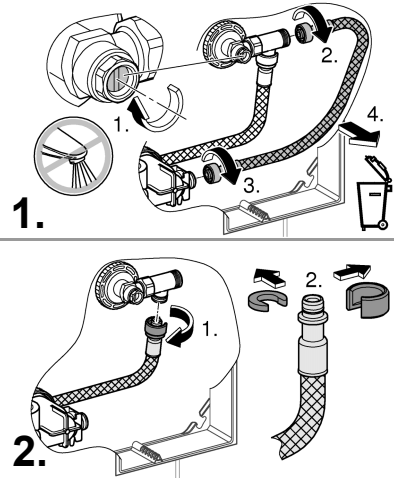
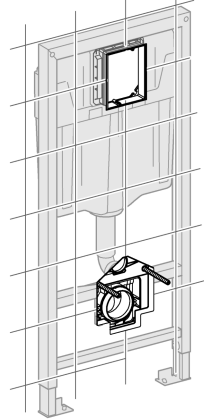




46 944



**!** Rapid SL



# ! Rapid SLX

