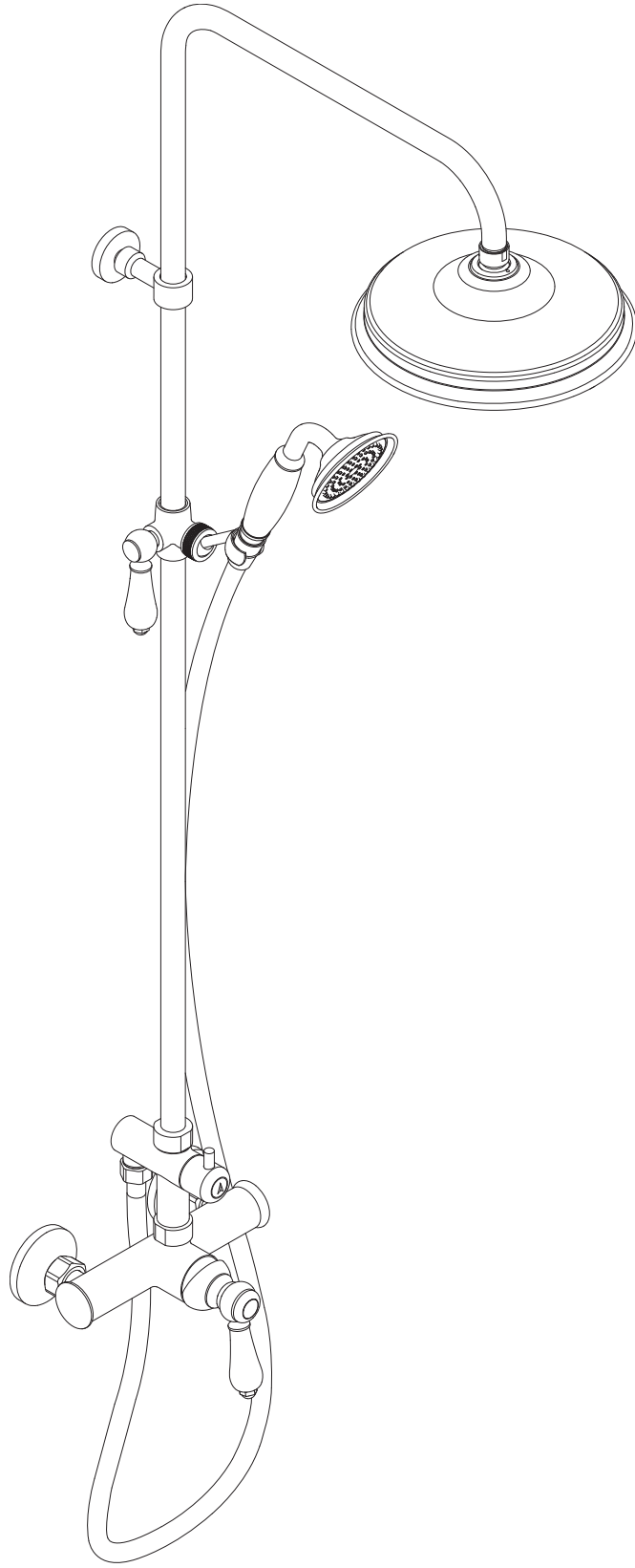
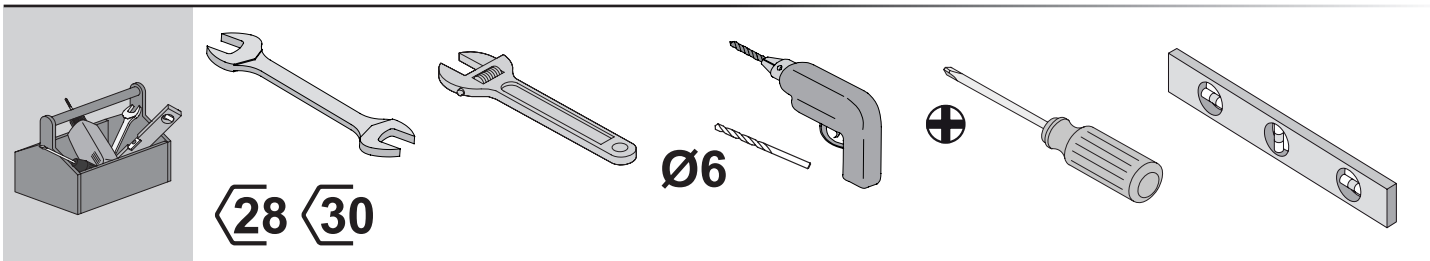


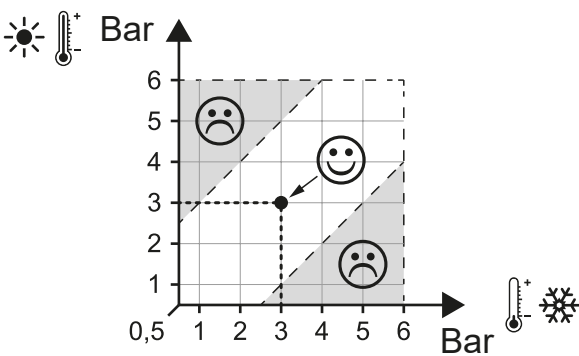
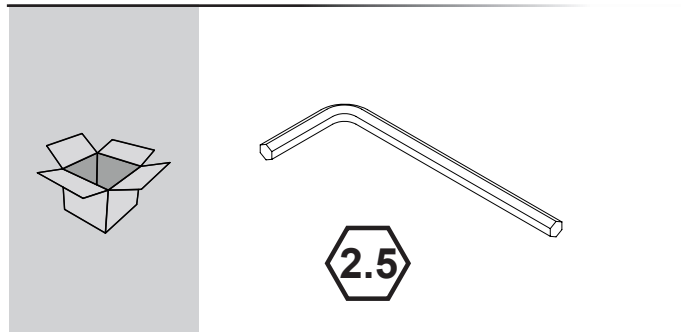
Jacob Delafon



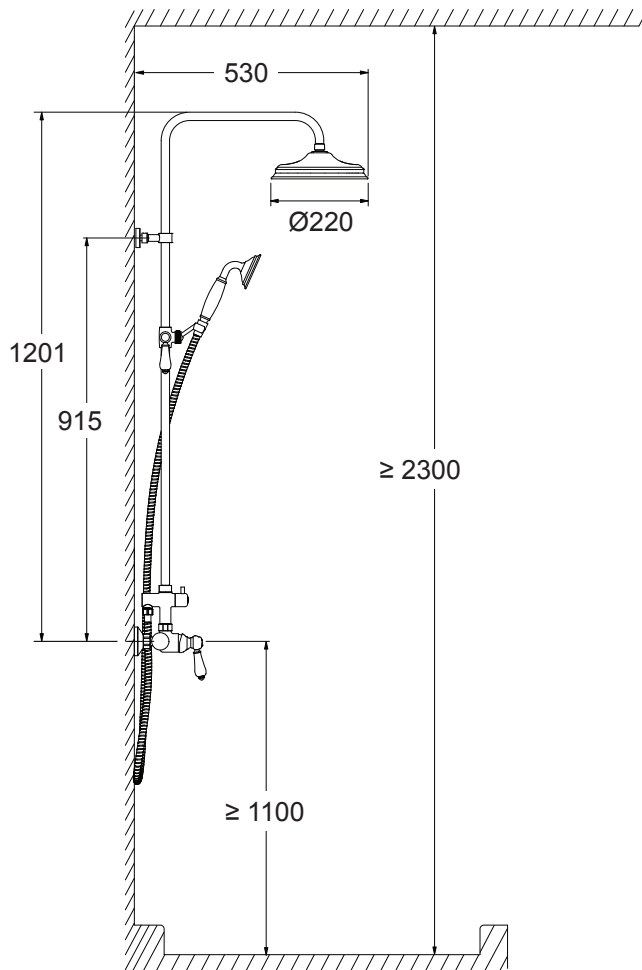
LOUISE



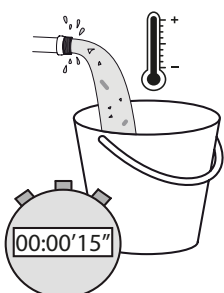
	Bar	0.5 < 3 < 6
	°C	55 < 60 < 65

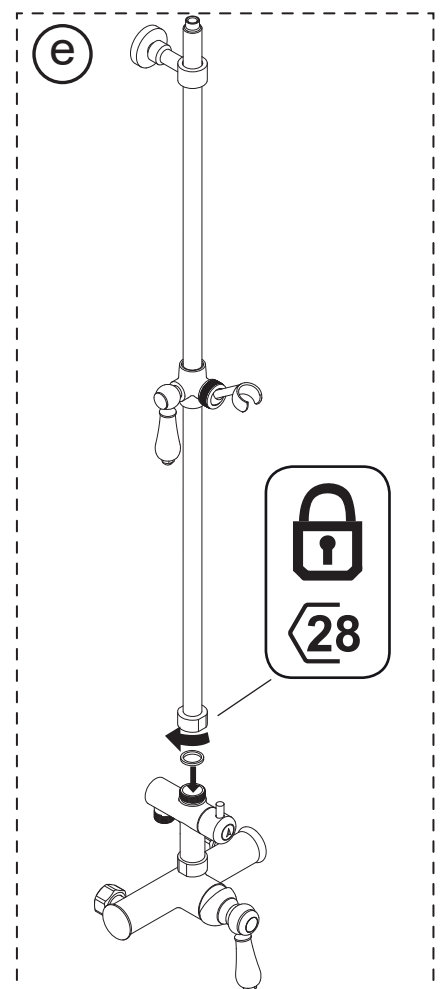
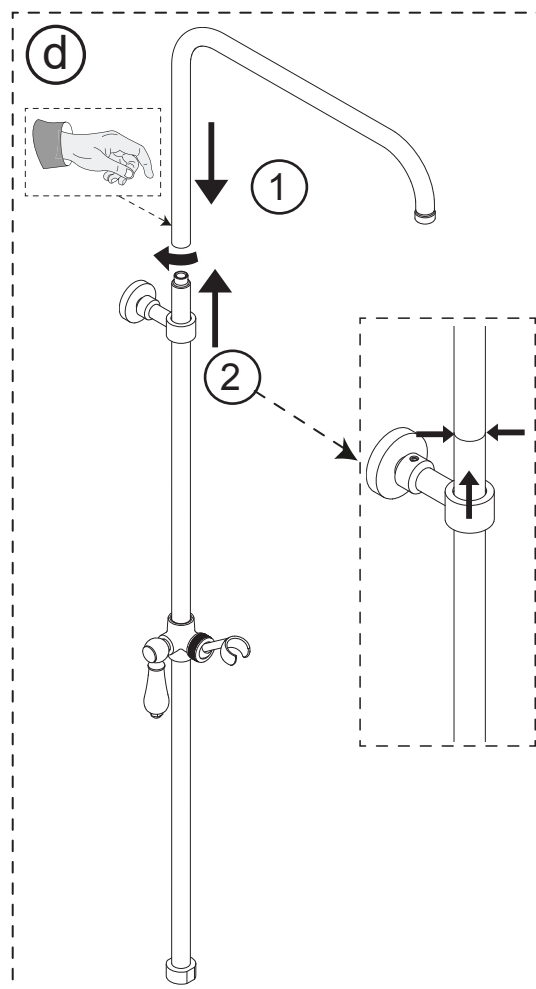
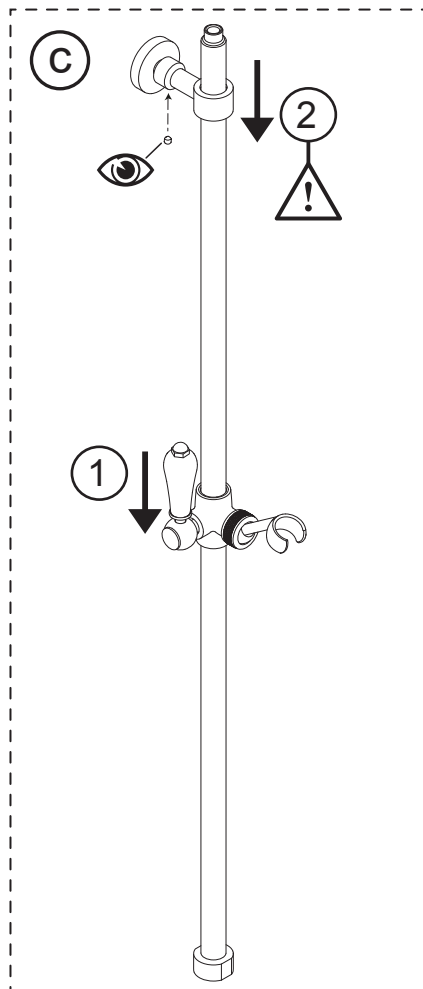
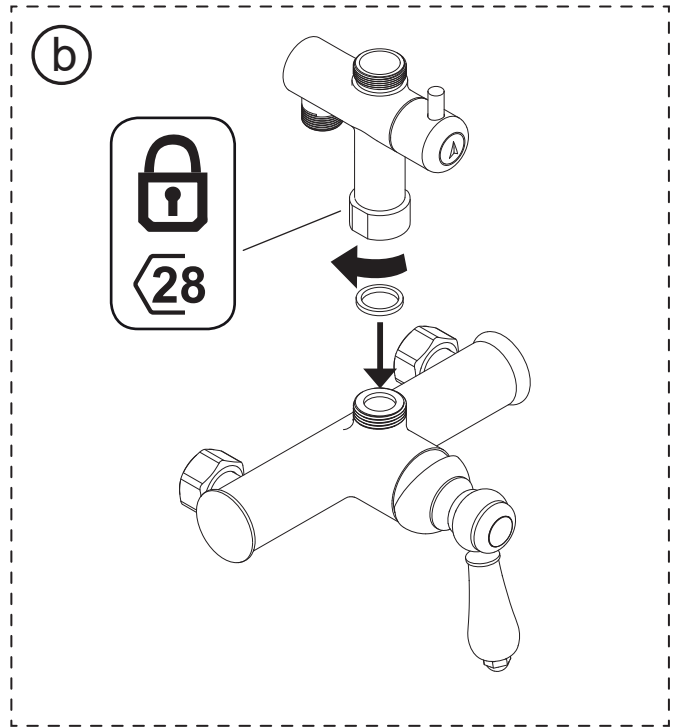
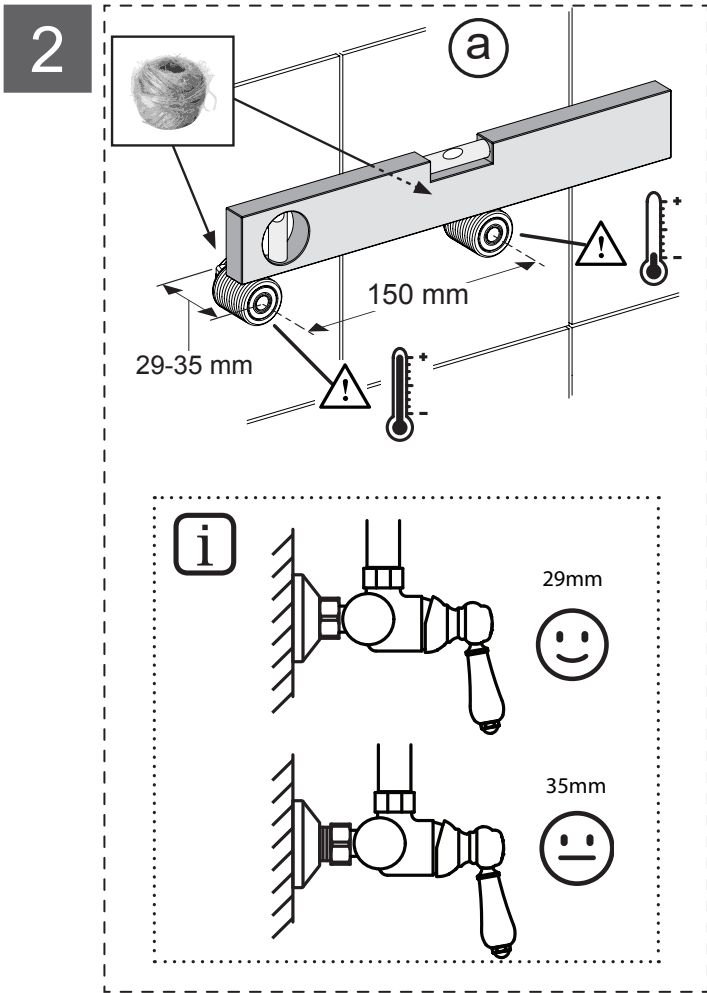


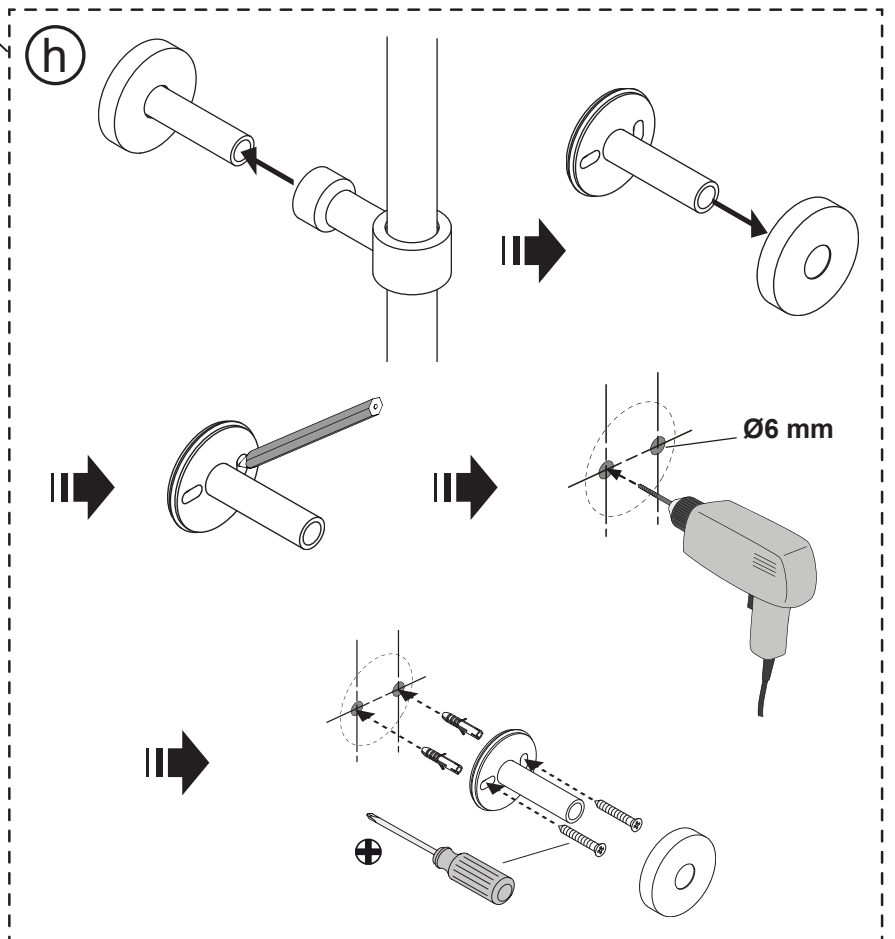
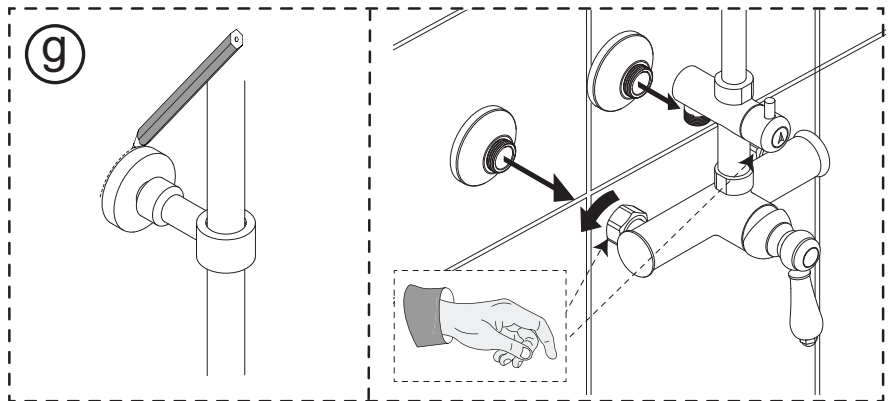
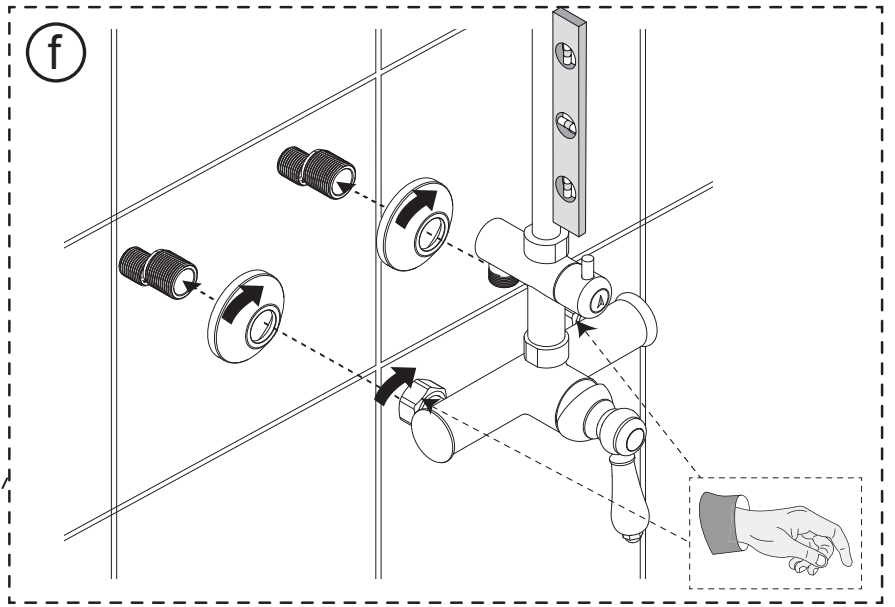
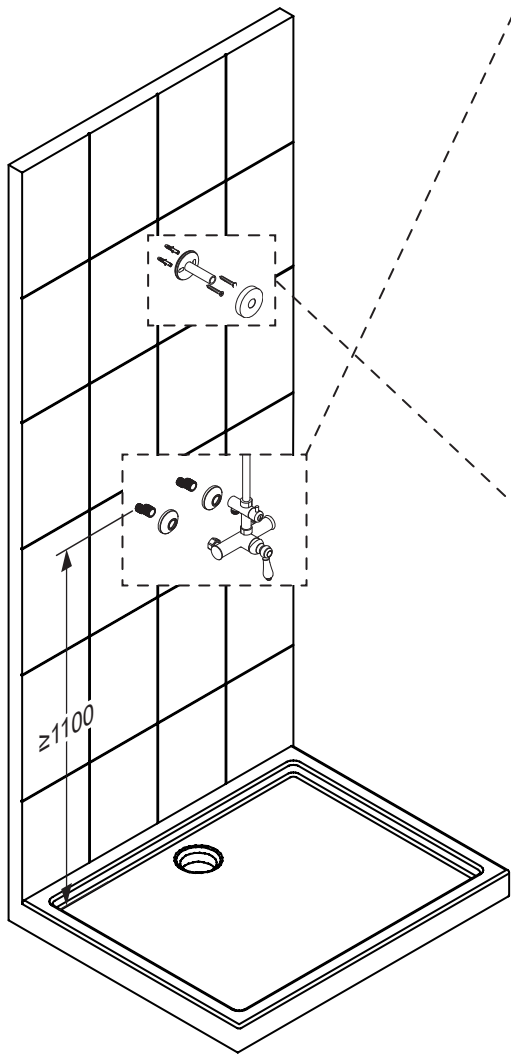
E24368-**

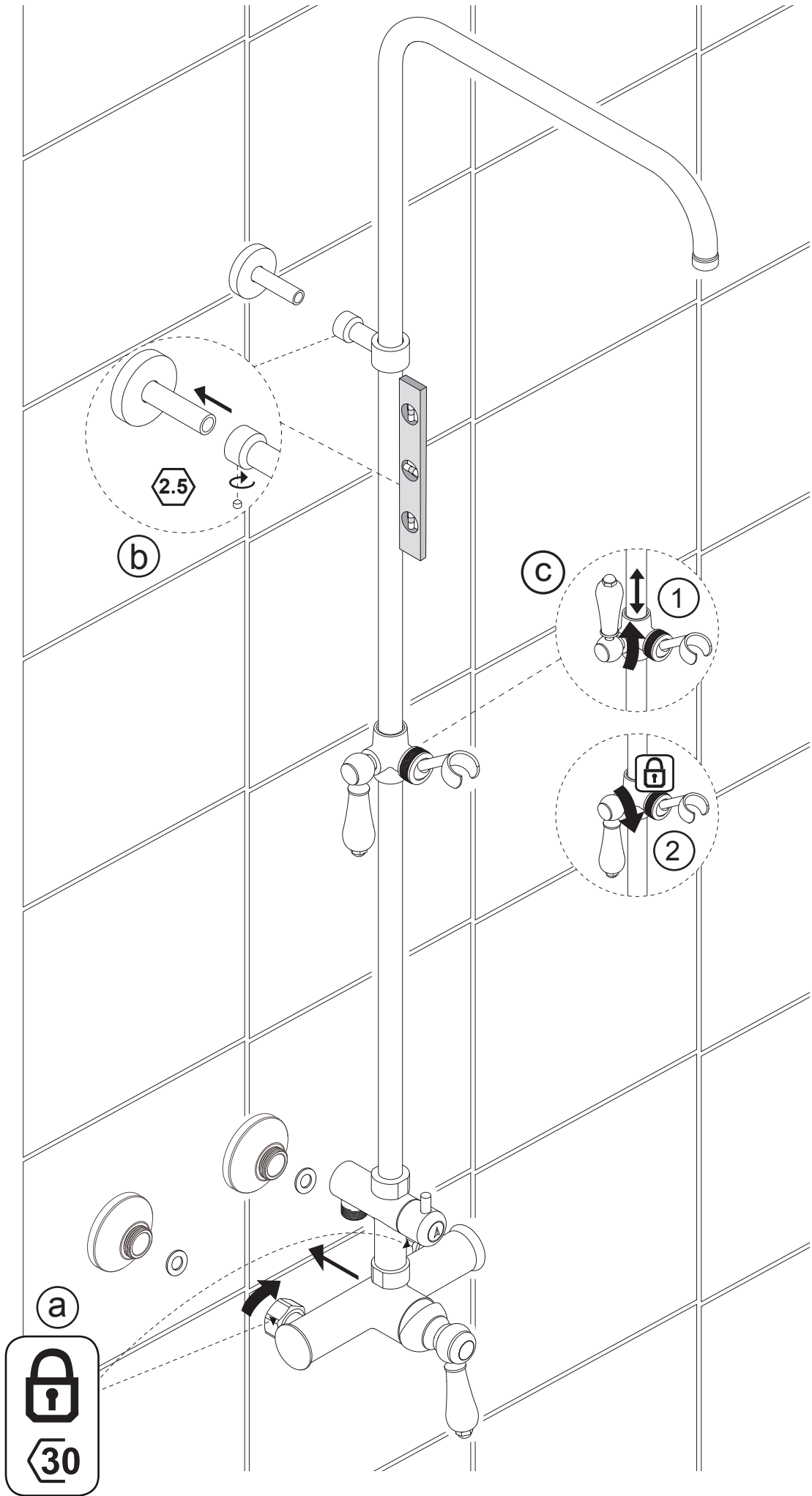


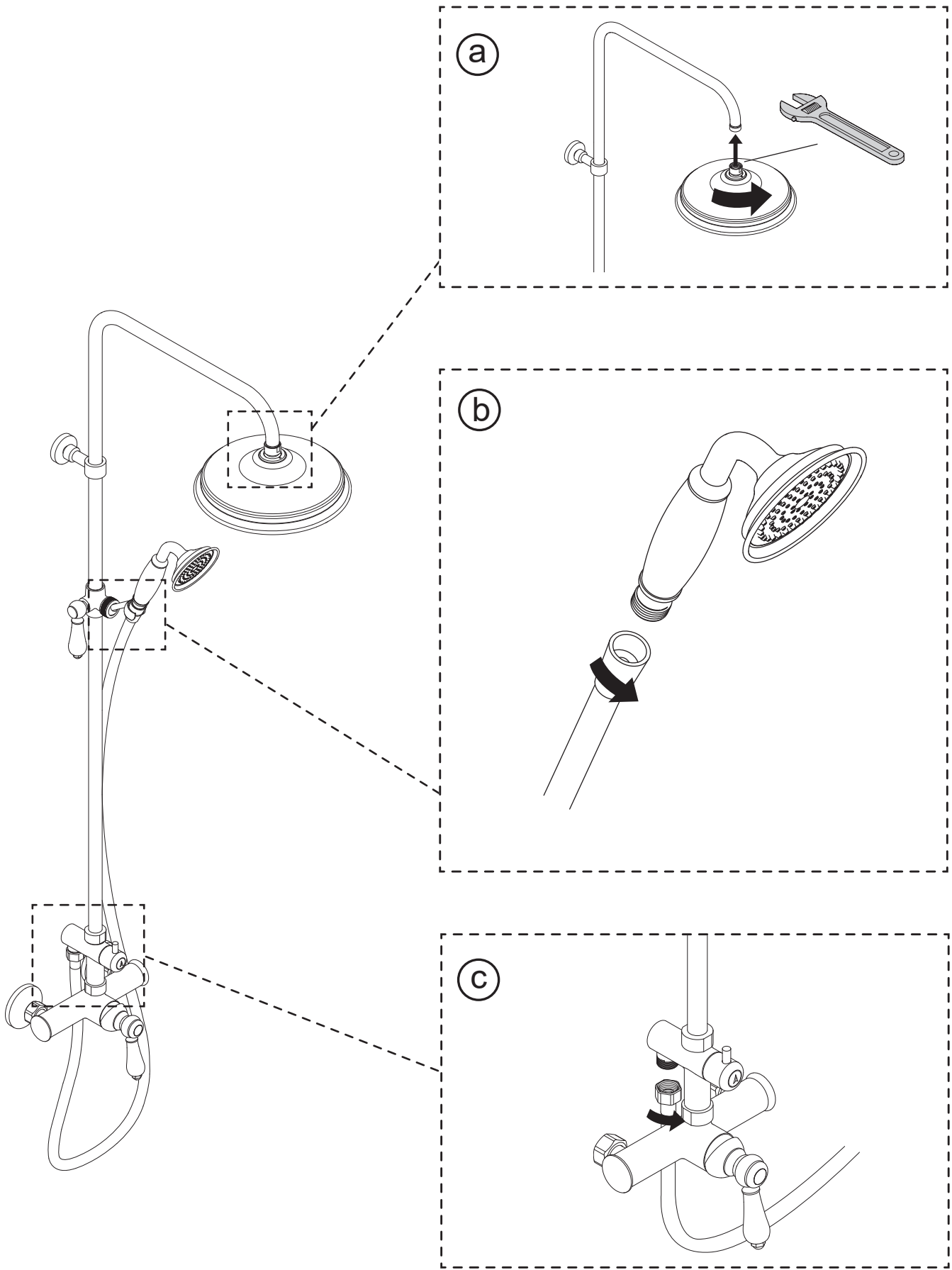
1

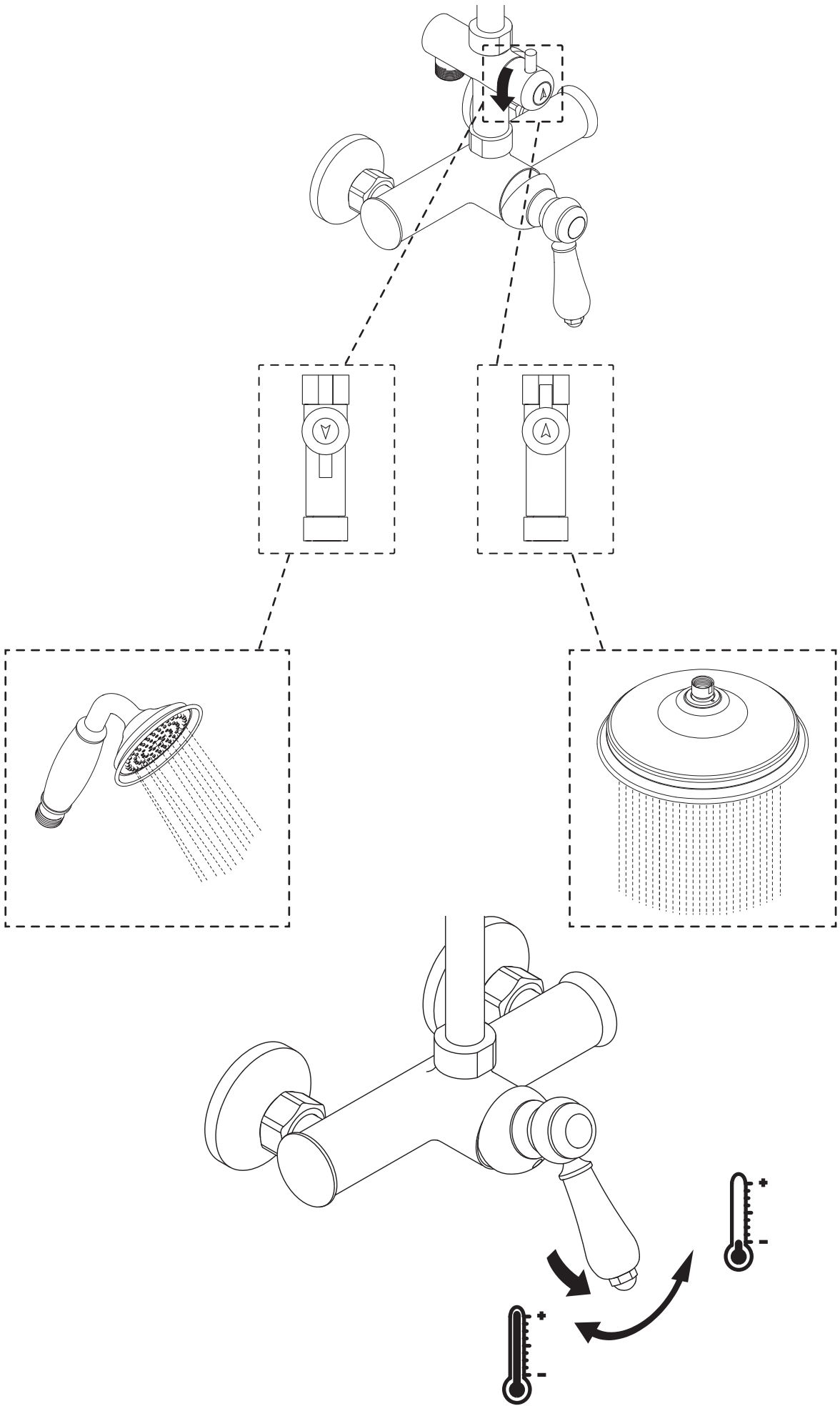


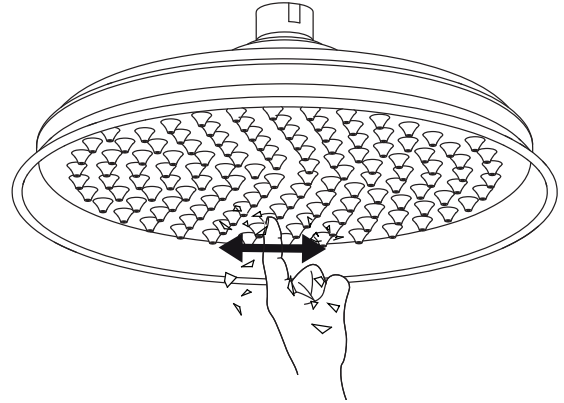
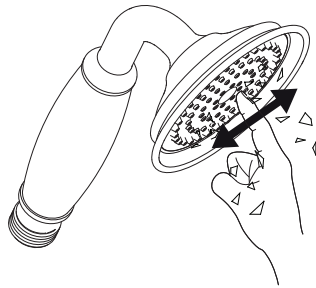
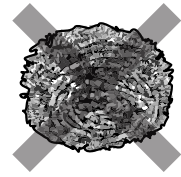
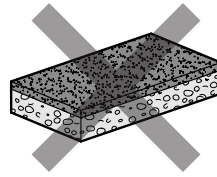
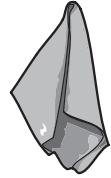
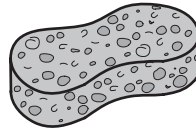


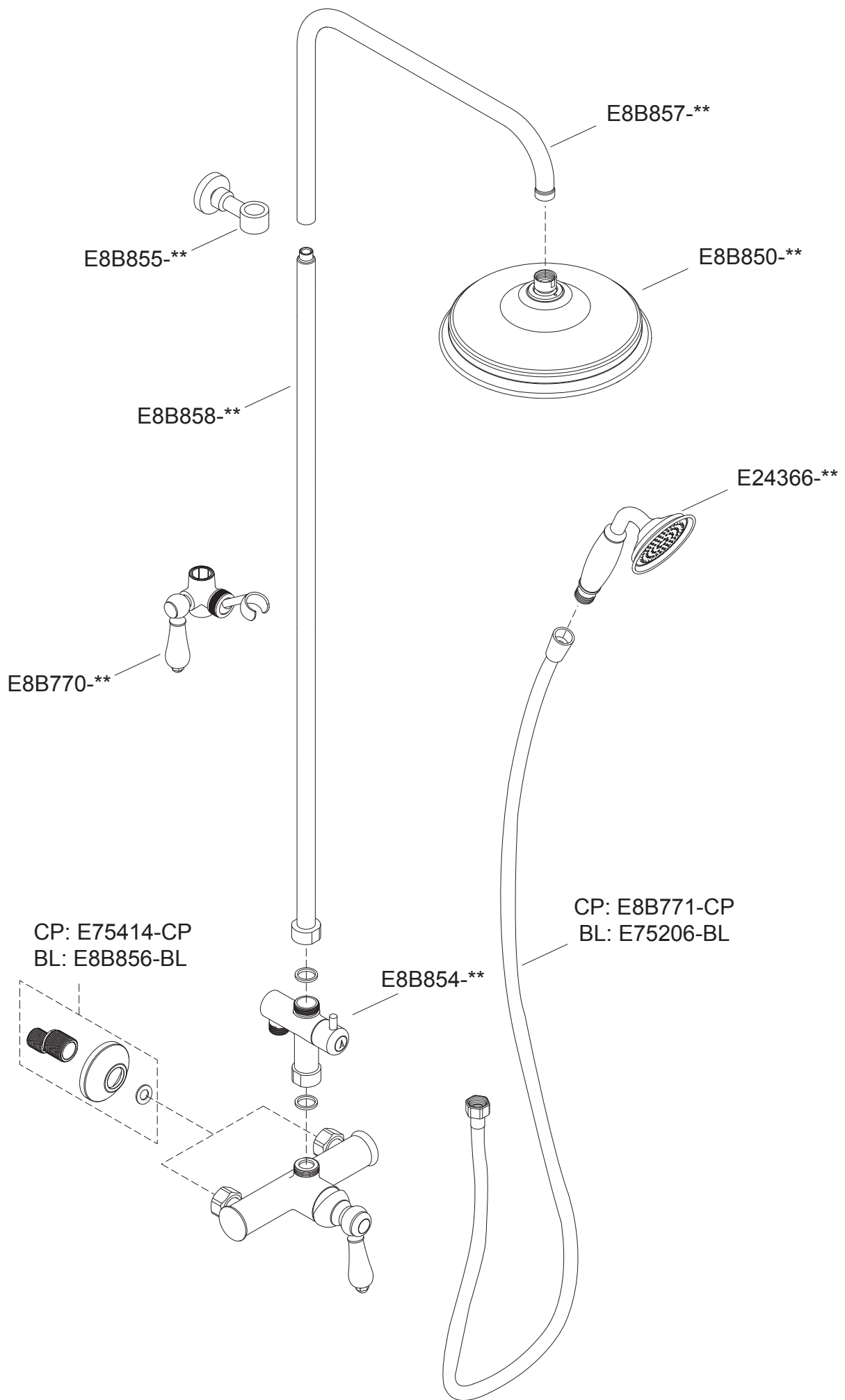












Jacob Delafon

